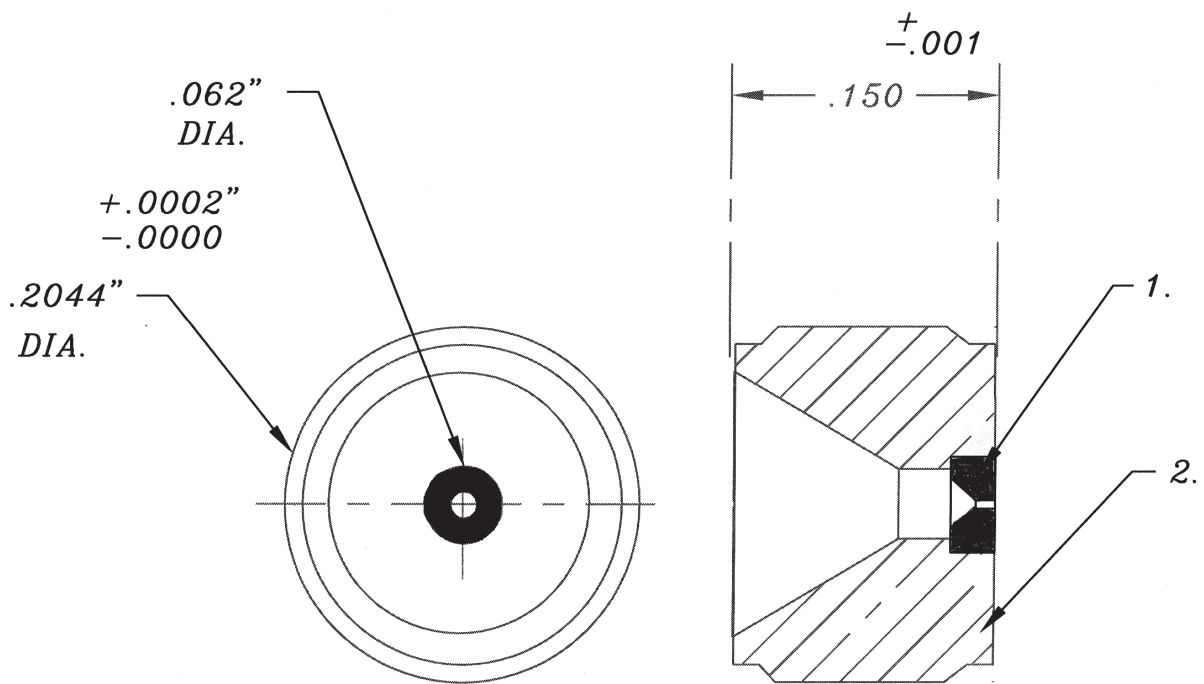


RB# 82742



①. *Select Sapphire Orifice Size
Tolerance is +.0002" / -.0000"*

②. *Stainless Steel Press-in Insert*



**BIRD
PRECISION**

Phone • 1 • (800) • 454 • 7369
Fax • 1 • (800) • 370 • 6308
e-mail • sales@birdprecision.com