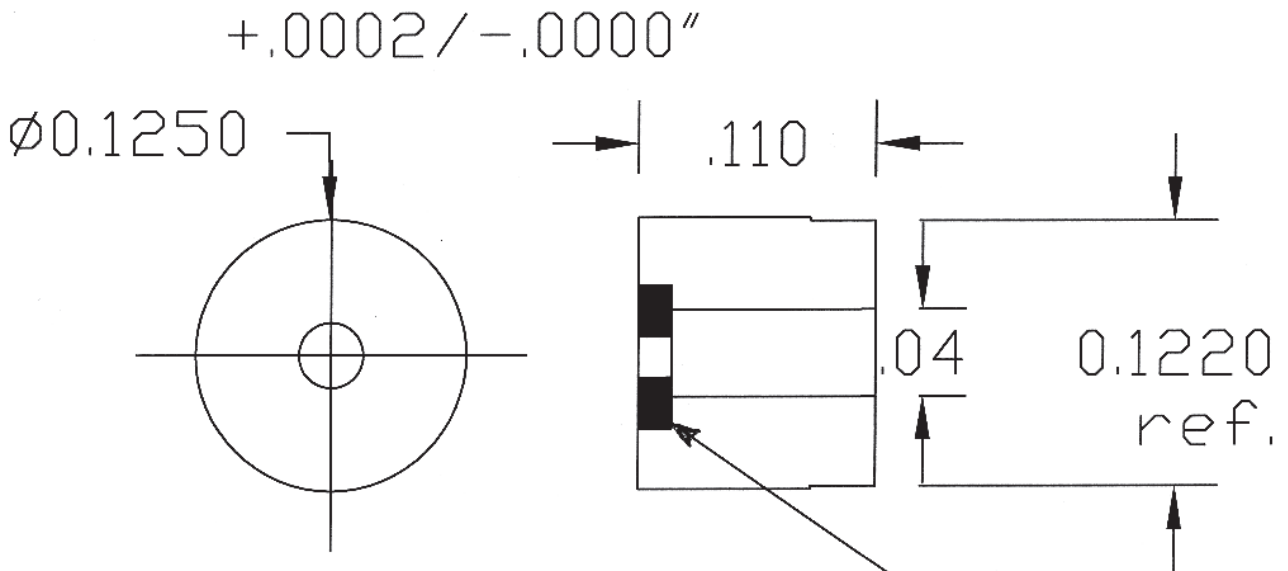


RB# 83711



select ruby orifice
size
tolerance $+0.0002$ " / -0.0000 "



**BIRD
PRECISION**

Phone • 1 • (800) • 454 • 7369
Fax • 1 • (800) • 370 • 6308
e-mail • sales@birdprecision.com