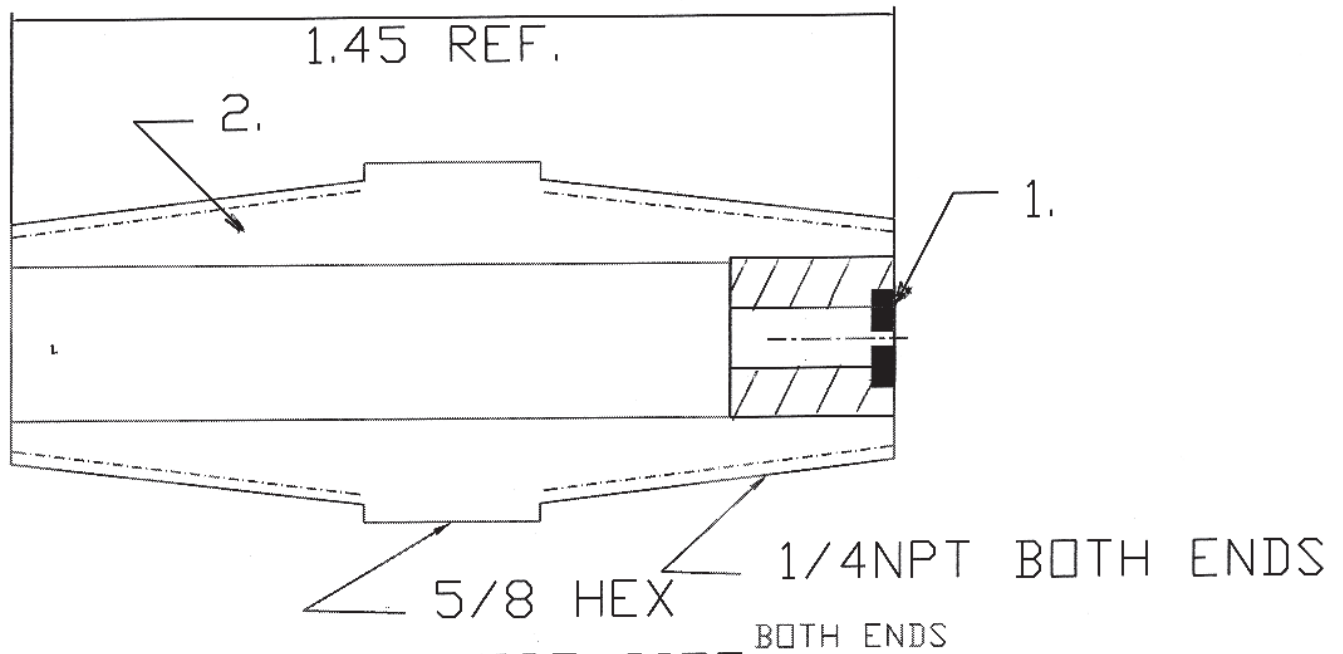


RB# 82434

← FLOW DIRECTION



1. SELECT DRIFICE SIZE

TOLERANCE $+0.0002'' / -0.0000''$

2. STAINLESS MALE TO MALE CONNECTOR
316SS



**BIRD
PRECISION**

Phone • 1 • (800) • 454 • 7369

Fax • 1 • (800) • 370 • 6308

e-mail • sales@birdprecision.com